

# QPD4-8000-30000-20-K

## 4-Way, 8~30GHz

**Features:**

- \* Small Size
- \* Low Insertion Loss

**Applications:**

- \* Amplifiers
- \* Mixers
- \* Antennas
- \* Laboratory Test

**Electrical**

Frequency:	8~30GHz
Insertion Loss:	1.6dB max.
Input VSWR:	1.5 max.
Output VSWR:	1.5 max.
Isolation:	16dB min.
Amplitude Balance:	±0.4dB
Phase Balance:	±4°
Impedance:	50Ω
Average Power:	20W max. 1W max. as combiner

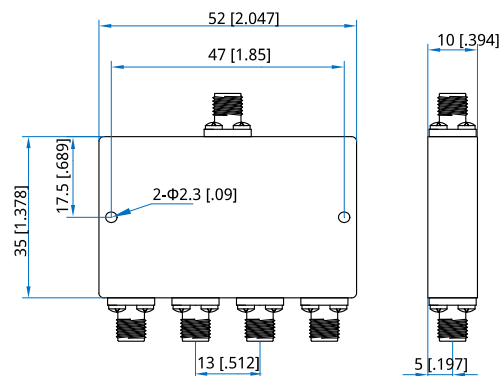
**Mechanical**

Size <sup>*1</sup> :	35*52*10mm 1.378*2.047*0.394in
Weight:	120g
Connectors:	2.92mm Female (Stainless steel)
Mounting:	2-Φ2.3mm through-hole

[1] Exclude connectors.

**Environmental**

Operation Temperature:	-45~+85°C
------------------------	-----------

**Outline Drawings**


Unit: mm [in]

Tolerance: ±0.5mm [±0.02in]

**How To Order**

**QPD4-8000-30000-20-K**

Customization is available upon request.